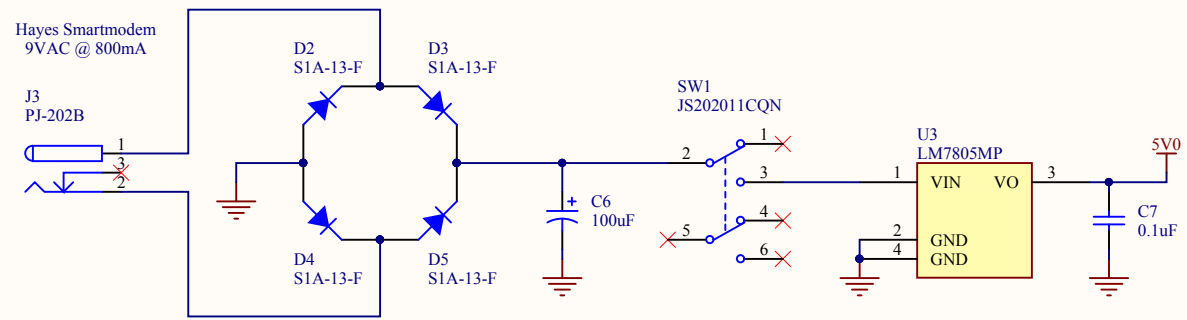


DB-25 Male Connector to Modem

To Laser Diode Module Driver



NOTE: RESISTORS ARE IN OHMS +/- 5% AND CAPACITORS ARE IN MICROFARADS UNLESS OTHERWISE NOTED. SEE BOM FOR ACTUAL VOLTAGE AND SPECIFICATION.



TITLE					
uSD-to-Serial Interface					
DATE	FILENAME	SIZE	DRAWN BY	REV	
6/4/2018		B	SHT 1 OF 1	Joe Grand	A