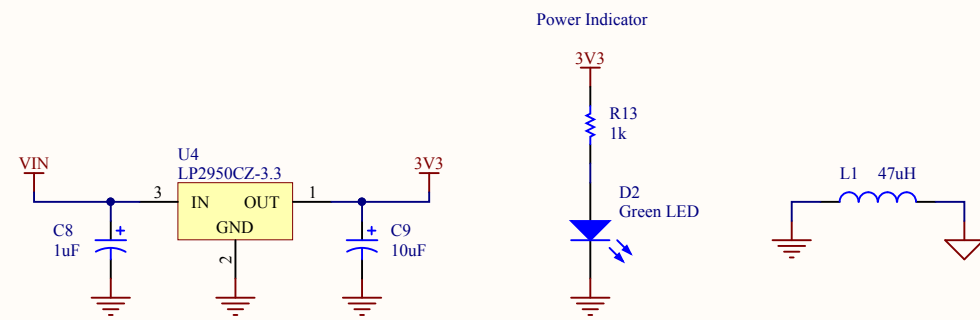
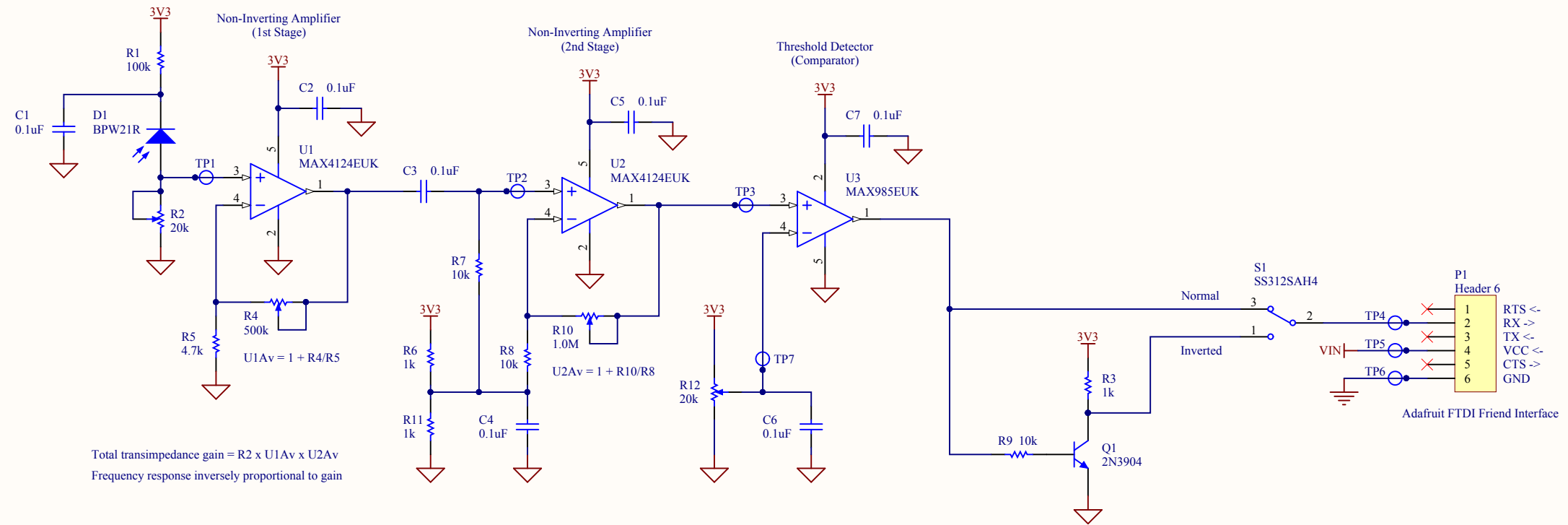


Place target LED directly onto sensor
Peak wavelength sensitivity @ 565nm



NOTE: RESISTORS ARE IN OHMS +/- 5% AND CAPACITORS ARE IN MICROFARADS UNLESS OTHERWISE NOTED. SEE BOM FOR ACTUAL VOLTAGE AND SPECIFICATION.



Based on Maxim Integrated's AN1117: Small Photodiode Receiver Handles Fiber-Optic Data Rates to 800kbps (July 2001)

Distributed under a Creative Commons Attribution 3.0 US license

TITLE Optical Receiver (Analog)					
DATE 1/22/2018	FILENAME	SIZE B	SHT 1	OF 1	DRAWN BY Joe Grand
			REV B		