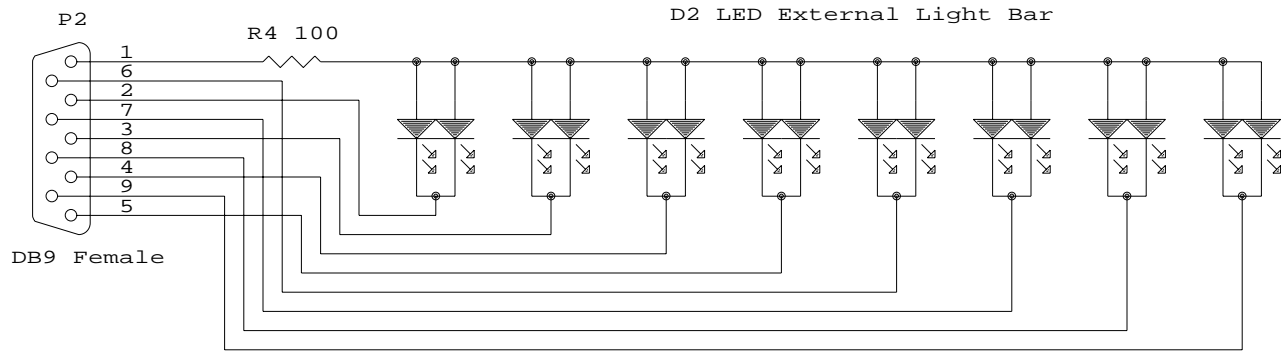


From Knight Rider Light
Control Unit



External Light Bar Pinouts		
Pin	Color	Connection
1	White	+5V
2	Yellow	LED pair #1
3	Green	LED pair #2
4	Blue	LED pair #3
5	Grey	LED pair #4
6	Purple	LED pair #5
7	Orange	LED pair #6
8	Red	LED pair #7
9	Brown	LED pair #8

J. Grand		
LHI Technologies		
Title Knight Rider Light Revisited		
Size	Document Number	REV
A	External Light Bar	2.0
Date:	August 22, 1997	Sheet 2 of 2