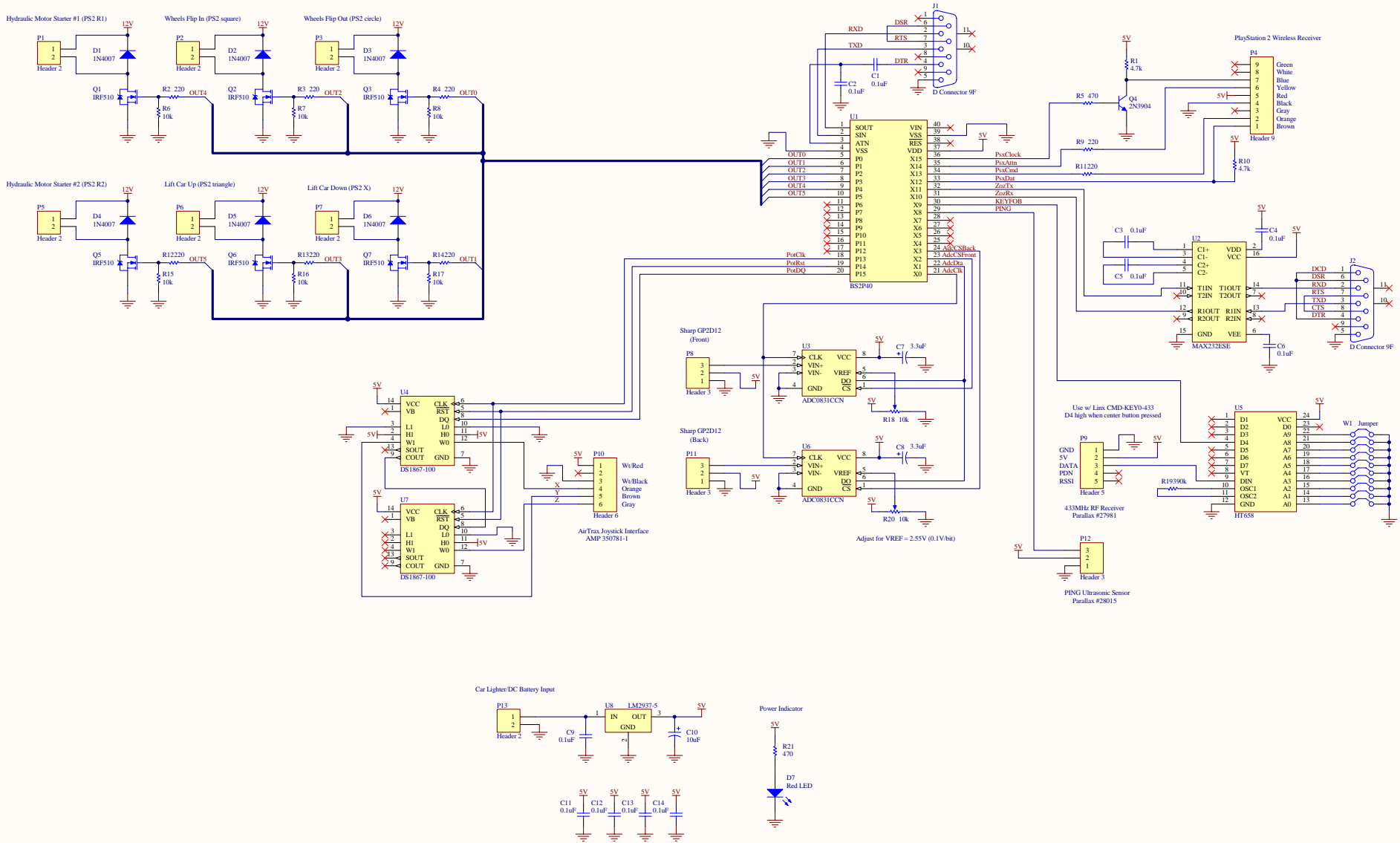
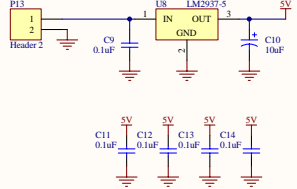


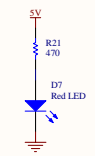
Solenoid Hydraulic Valve/Hydraulic Pump Motor Control




Car Lighter/DC Battery Input



Power Indicator





GRAND
idea studio

Prototype This: Traffic Buster Control Module

Size C	PCSM No. May 14, 2007	DWG No.	Rev
Scale	J. Grand		Sheet