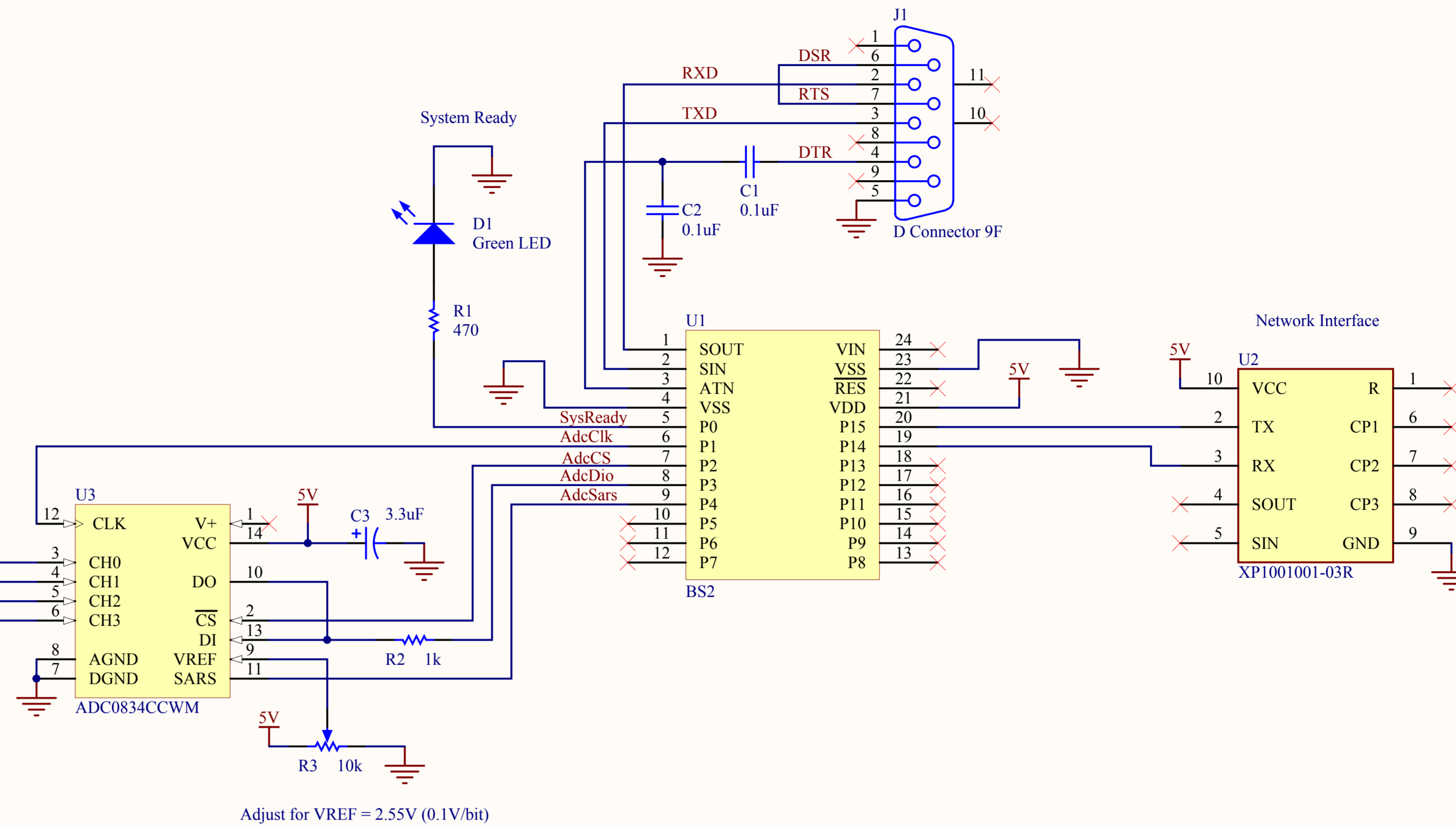
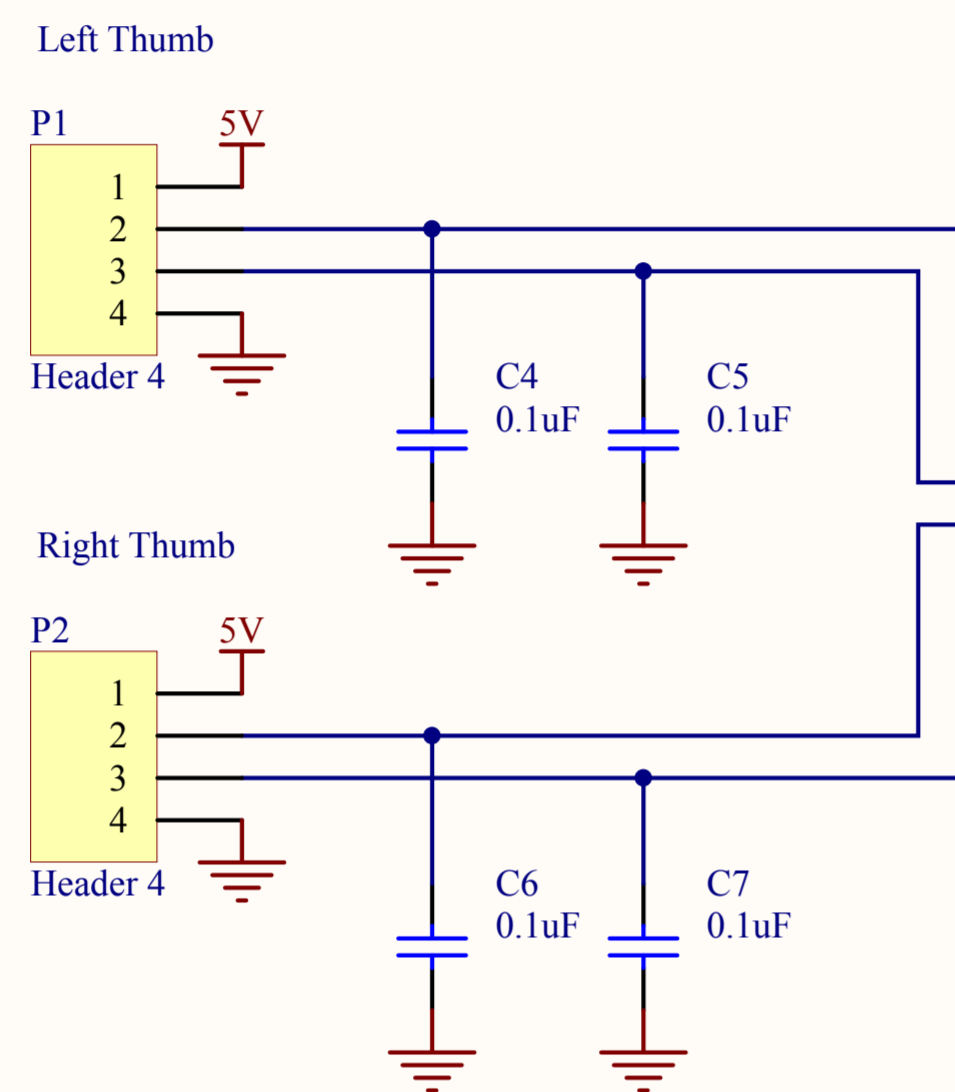
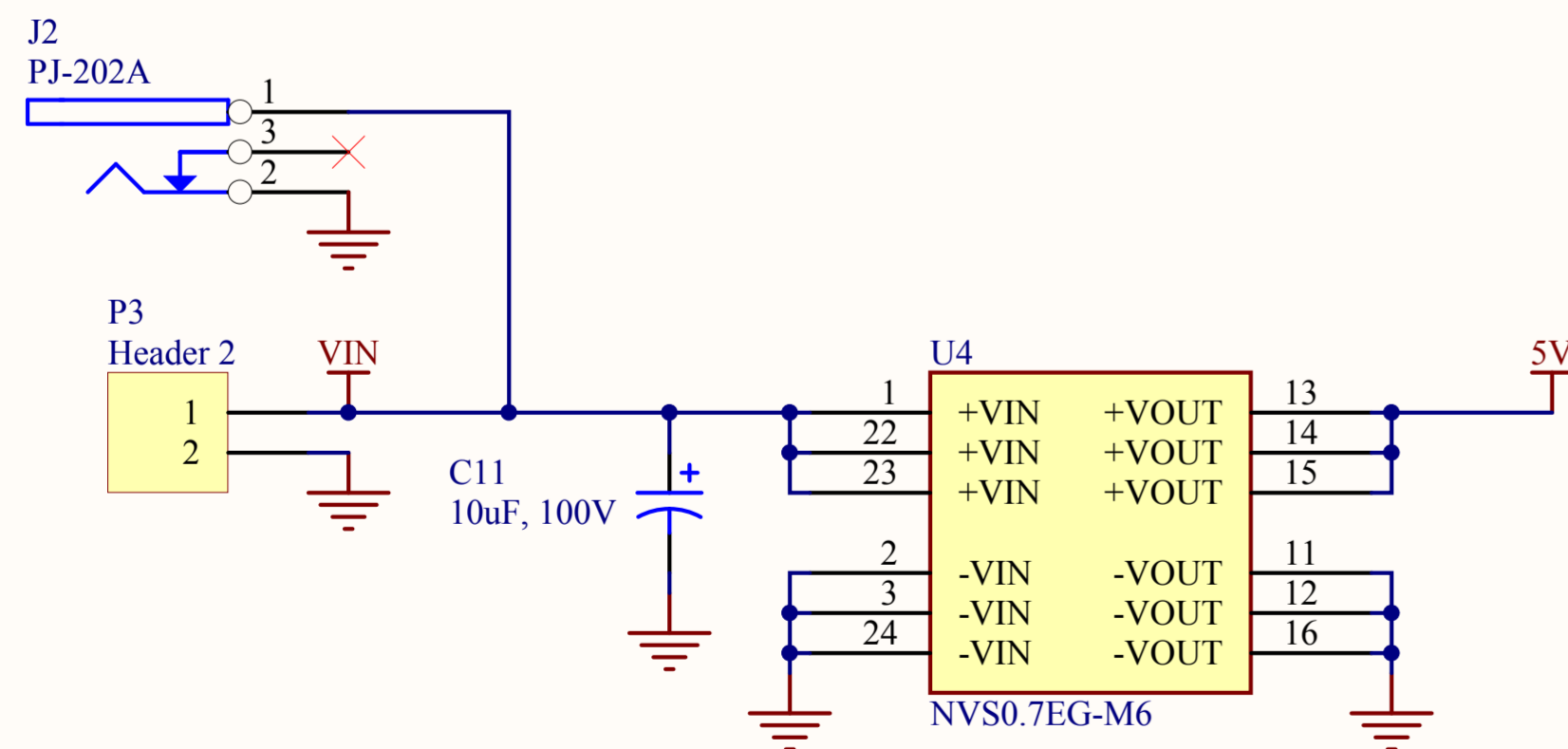


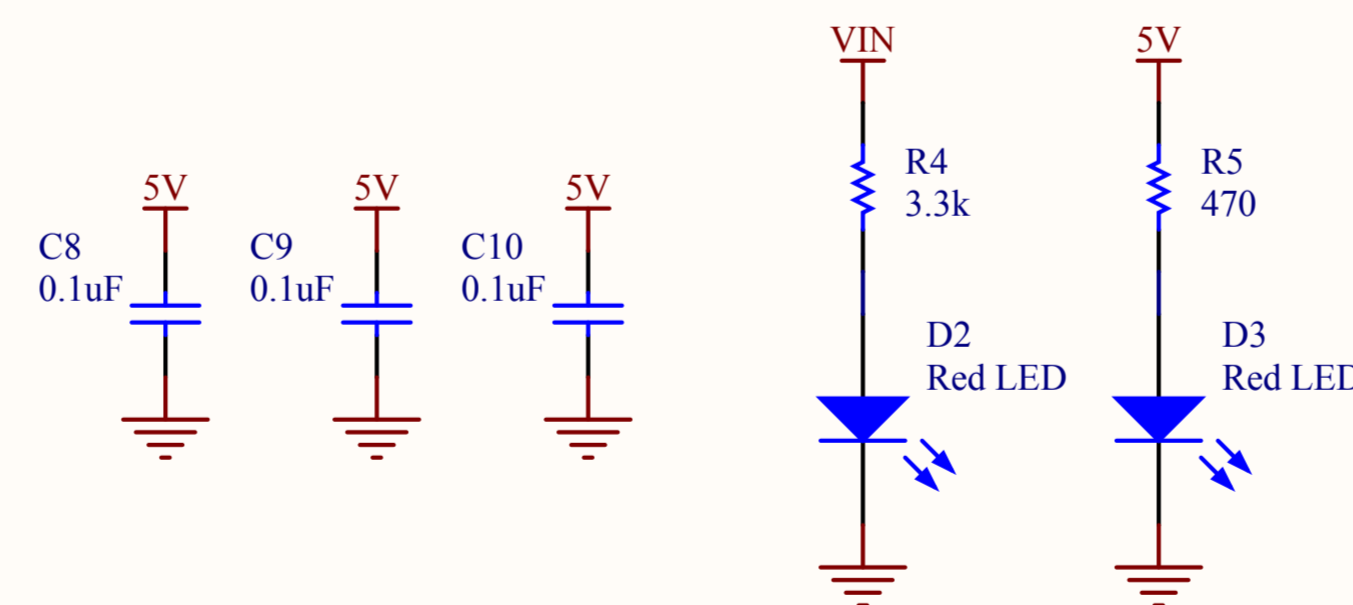
Joystick/Magnetic Position Sensors  
(Wired from Sea Scooter Handle)



Power Supply Input (18-75VDC)



Power Indicators



TITLE Prototype This: Sea Cave Control Unit

DATE	FILENAME	SIZE	SHT	OF	DRAWN BY	REV
9/14/2008		B	1	1	Joe Grand	A