

PIZZA PIE PACK

I HAVE LESS THAN 3 DAYS TO DESIGN, BUILD, TEST!
8/13/08

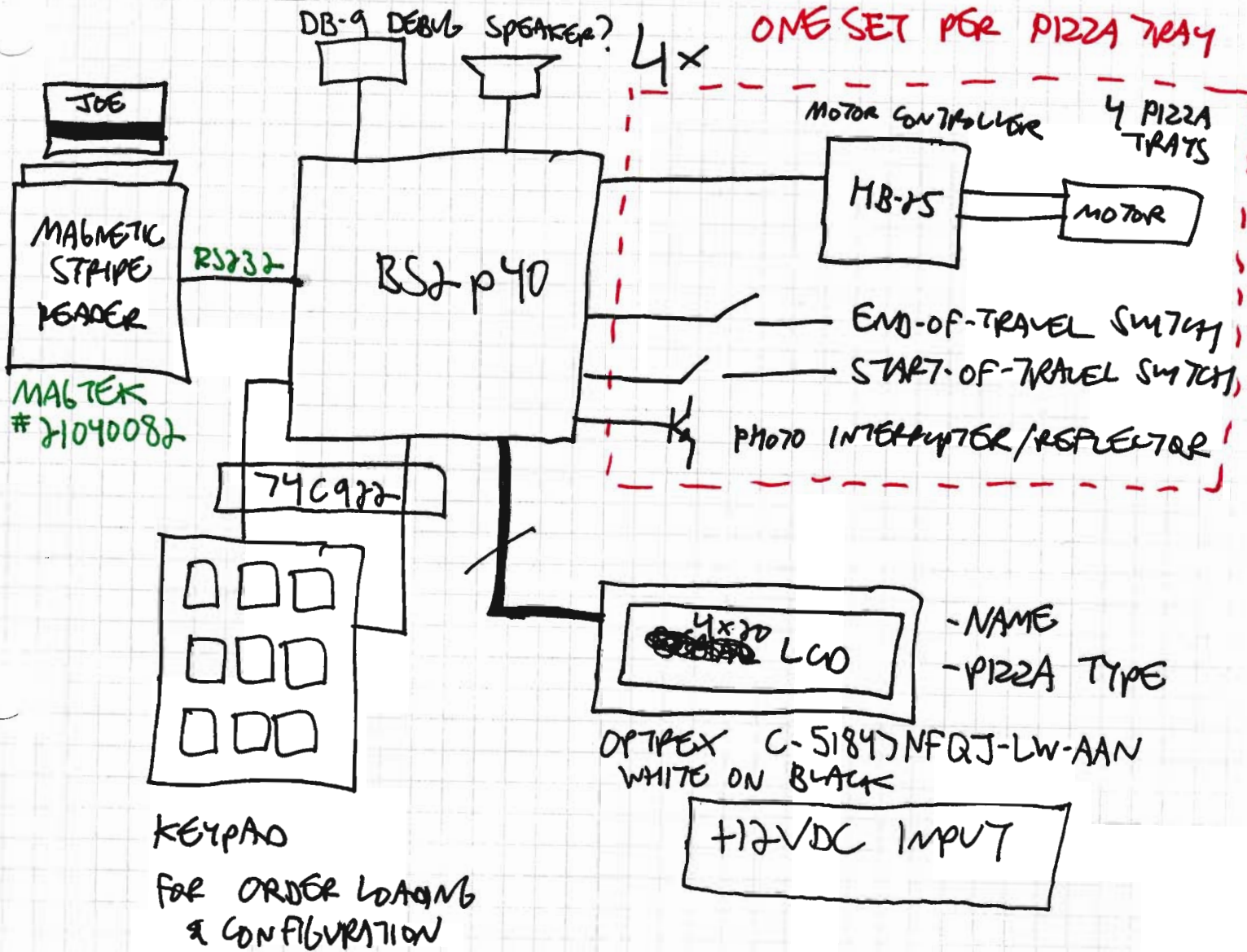
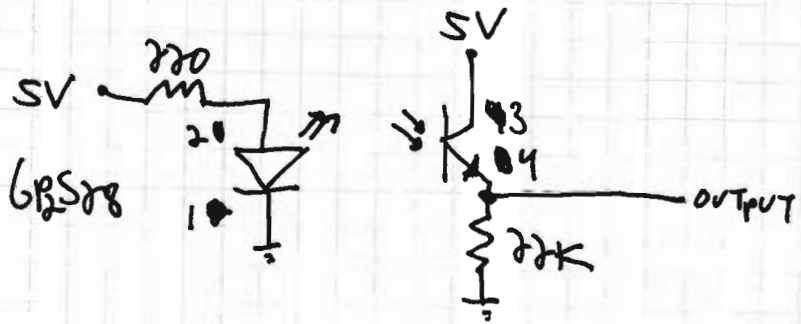
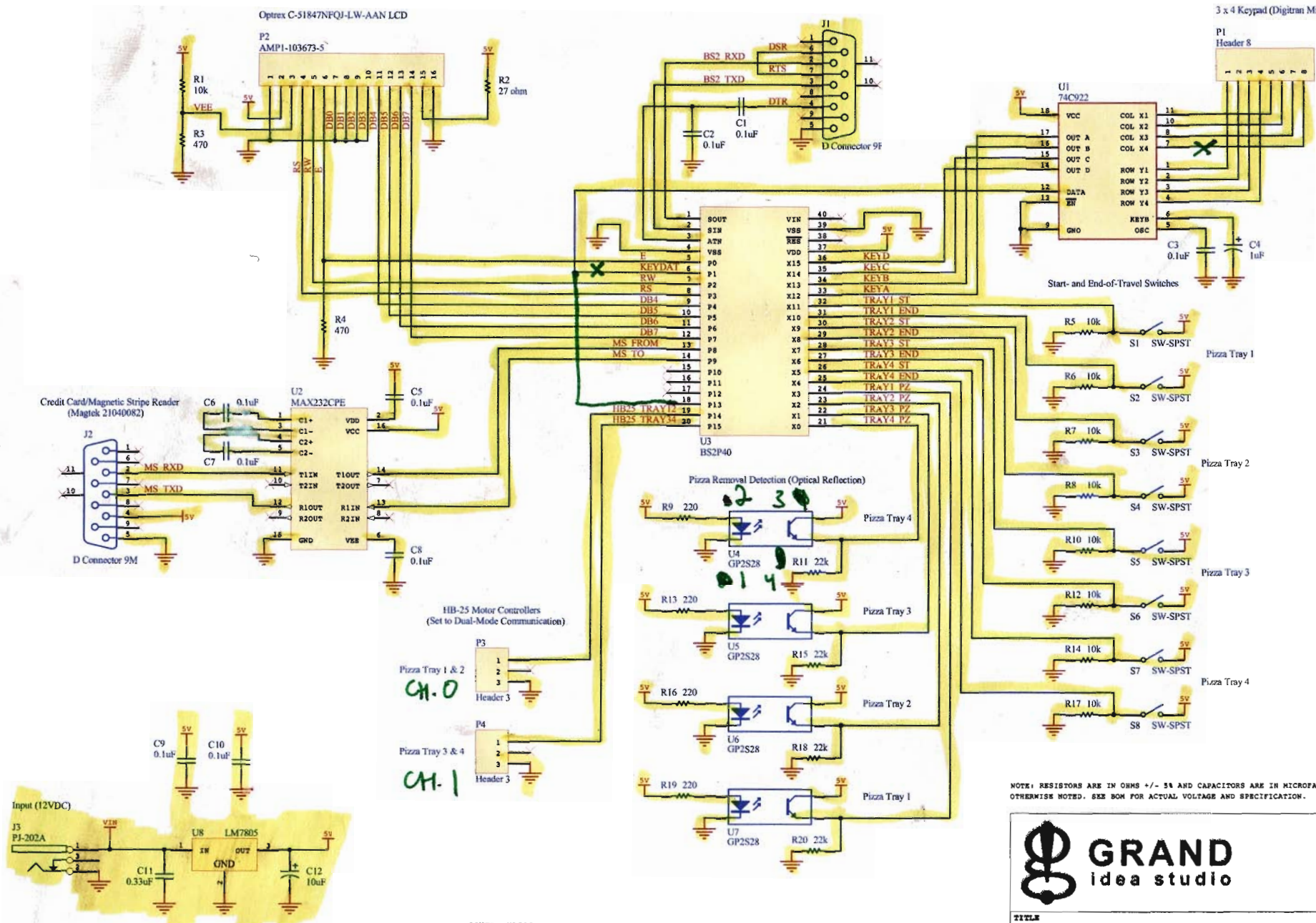


PHOTO REFLECTOR:
PIZZA REMOVAL DETECTION





NOTE: RESISTORS ARE IN OHMS +/- 5% AND CAPACITORS ARE IN MICROFARADS UNLESS OTHERWISE NOTED. SEE BOM FOR ACTUAL VOLTAGE AND SPECIFICATION.

GRAND
idea studio

TITLE
Prototype This: Pizza Pie Pack

DATE	FILENAME	SHEET	REV	DRAWN BY
8/26/2008		B	SRT 1 OF 1	Joe Grand

CONFIDENTIAL
THIS DOCUMENT CONTAINS INFORMATION THAT IS CONFIDENTIAL AND PROPRIETARY PROPERTY OF GRAND IDEA STUDIO, INC. NEITHER THIS DOCUMENT NOR THE INFORMATION THEREIN MAY BE REPRODUCED, USED OR DISCLOSED TO OR FOR THE BENEFIT OF ANY THIRD PARTY WITHOUT THE PRIOR WRITTEN CONSENT OF GRAND IDEA STUDIO, INC.

KEYPAD

8/16/08

VALUES

1 0000 = 0

2 0001 = 1

3 0010 = 2

4 0100 = 4

5 0101 = 5

6 0110 = 6

7 1000 = 8

8 1001 = 9

9 1010 = A

* 1100 = C

0 1101 = D

1110 = E