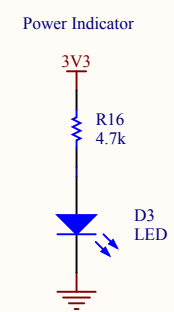
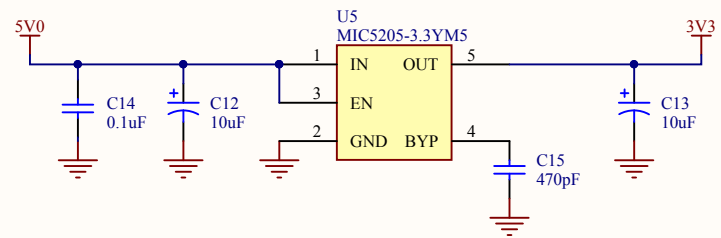
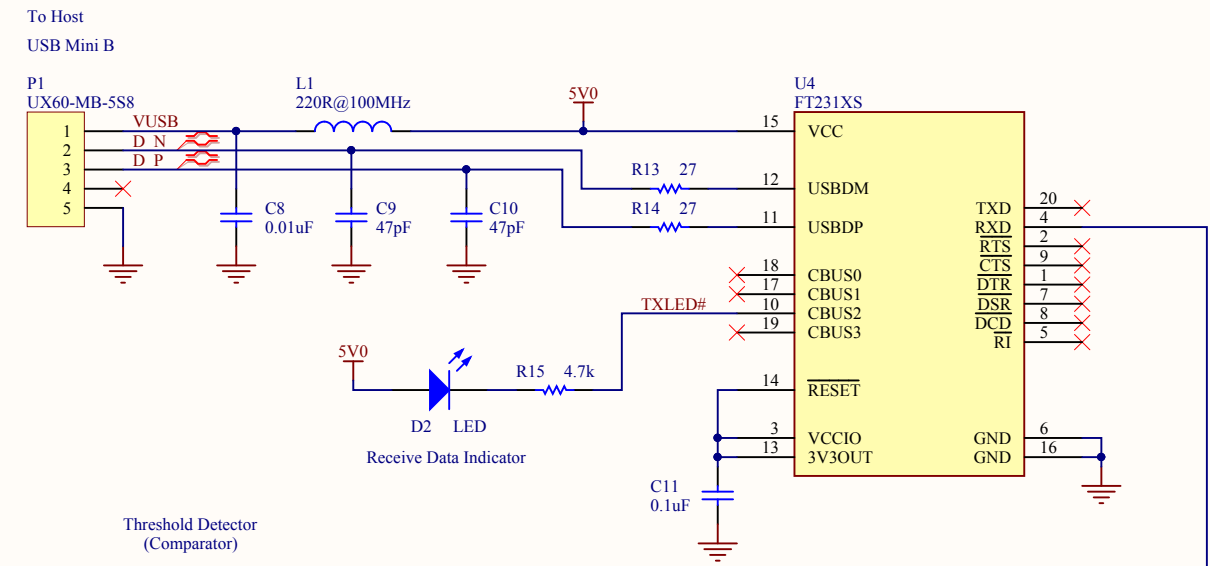
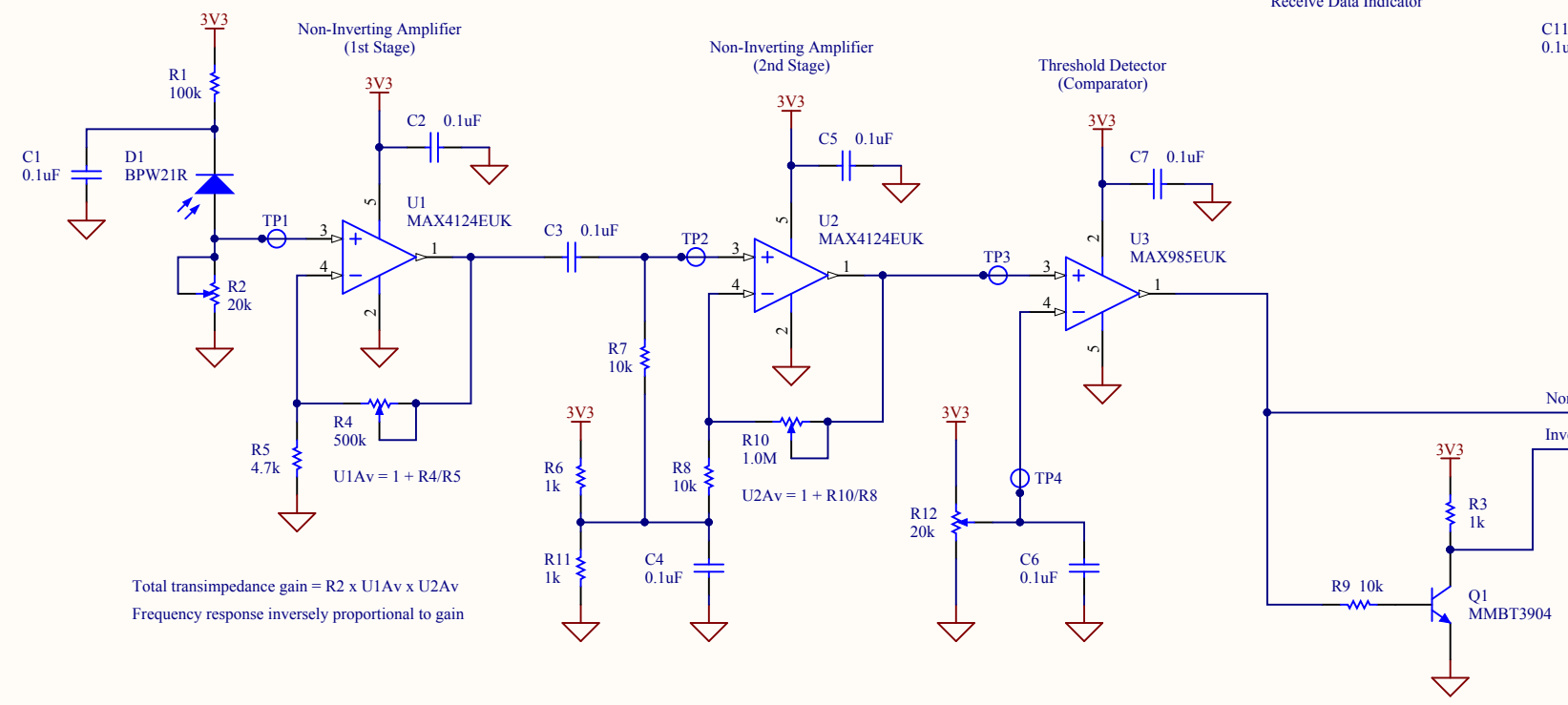


Place target LED near or onto sensor
Peak wavelength sensitivity @ 565nm



Based on Maxim Integrated's AN1117: Small Photodiode Receiver
Handles Fiber-Optic Data Rates to 800kbps (July 2001)

Distributed under a Creative Commons Attribution 3.0 US license

NOTE: RESISTORS ARE IN OHMS +/- 5% AND CAPACITORS ARE IN MICROFARADS UNLESS OTHERWISE NOTED. SEE BOM FOR ACTUAL VOLTAGE AND SPECIFICATION.



TITLE OpticSpy Analog: Crowd Supply Edition					
DATE 1/21/2018	FILENAME	SIZE B	SHT 1	OF 1	REV A
DRAWN BY Joe Grand			REV		