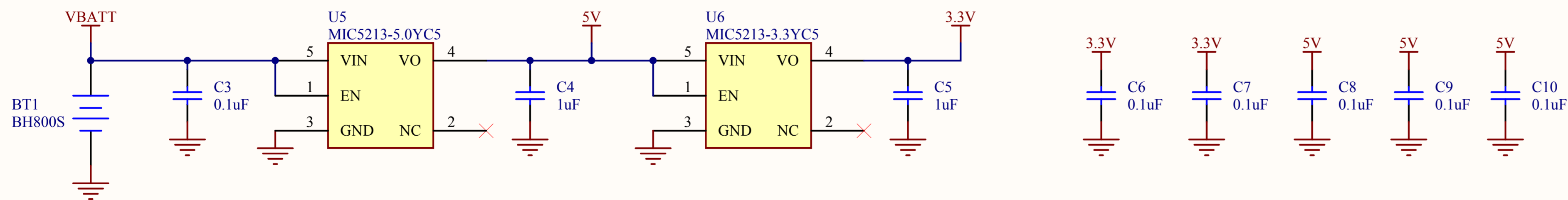


2x CR2032 Lithium Coin Cells (6V nominal)



NOTE: RESISTORS ARE IN OHMS +/- 5% AND CAPACITORS ARE IN MICROFARADS, X7R UNLESS OTHERWISE NOTED. SEE BOM FOR ACTUAL VOLTAGE AND SPECIFICATION.



TITLE					
DEFCON 16: BSODomizer					
DATE	FILENAME	SIZE	DRAWN BY	REV	
9/8/2008		B	SHT 1 OF 1	Joe Grand	1.1